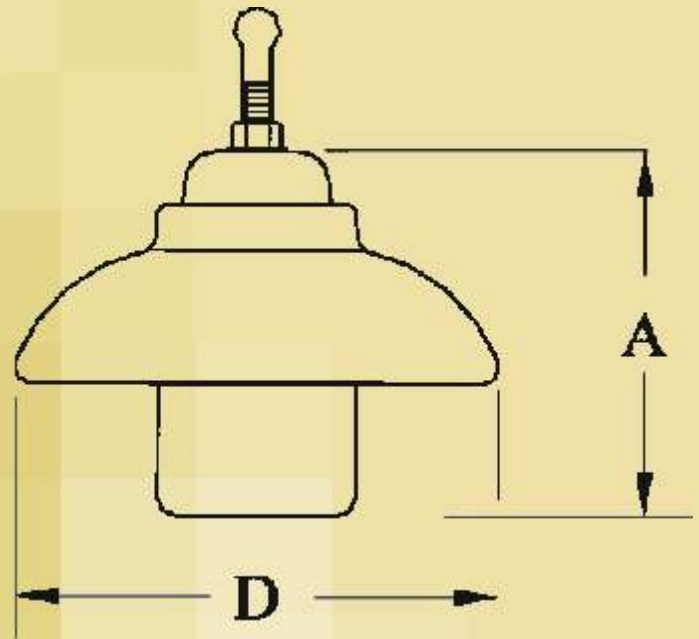


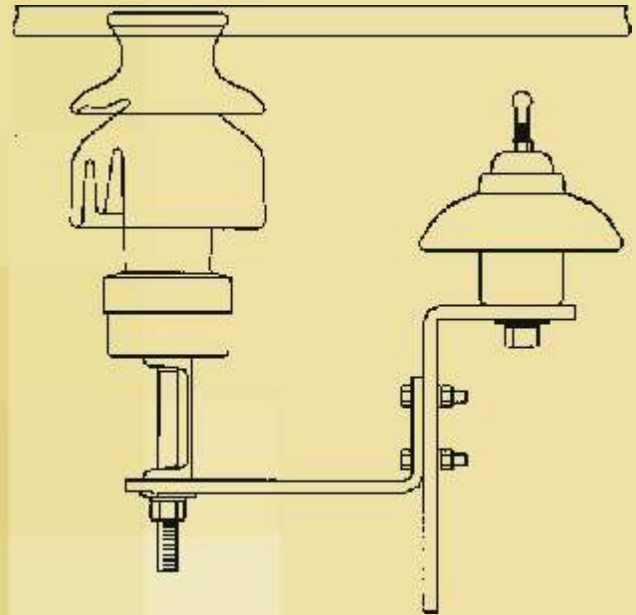
# SURGE ARRESTER WITH GAP IN POLYMERIC CONCRETE HOUSING (ALEA)



## SURGE ARRESTER WITH GAP IN POLYMERIC CONCRETE HOUSING (ALEA)

DESCRIPTION			
ARRESTER TYPE	ALEA 13	ALEA 22	ALEA 33
Nominal height (mm)	126	170	215
Maximum diameter (mm)	167	167	167
Arc distance (mm)	40	50	65
CFO (+) (Kv)	90	125	150
Dielectric resistance 5.0 kVcd (MΩ)	1000	1000	1000
Nominal current (kA)	5/10	5/10	5/10
Mechanical resistance (KN)	1.952	1.952	1.952

# SURGE ARRESTER WITH GAP IN POLYMERIC CONCRETE HOUSING (ALEA) WITH INSULATOR



## SET

### SURGE ARRESTER WITH GAP IN POLYMERIC CONCRETE HOUSING (ALEA) WITH INSULATOR

DESCRIPTION			
ARRESTER TYPE	ALEA 13	ALEA 22	ALEA 33
RATED VOLTAGE (kV)	13,2	23	34.5
CFO (+) (kV)	90	125	150
DRY FLASHOVER VOLTAGE 60 HZ- (kV)	35	50	55
WET FLASHOVER VOLTAGE 60 HZ (kV)	25	40	45
MECHANICAL RESISTANCE (kN)	1.952	1.952	1.952

\* The insulation use in the set could be of the pin type, Line-Post or Pin-Post

