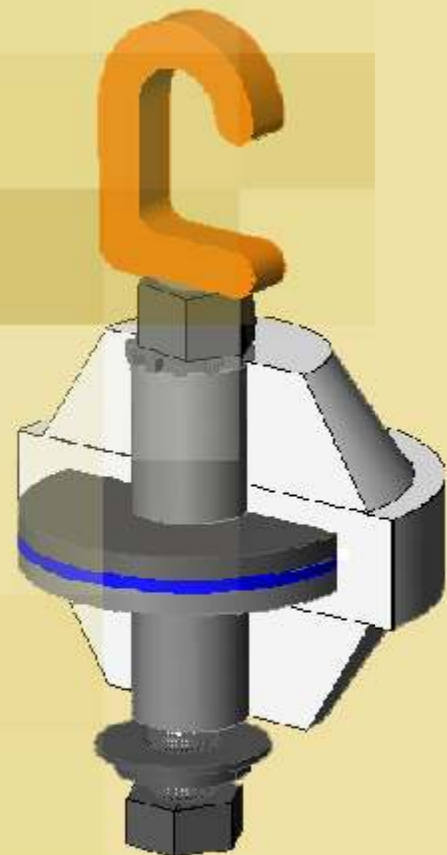


LOW VOLTAGE SURGE ARRESTER

The low voltage surge arrester it's conform by resistive non-linear varistor of zinc oxide and housed in Polymeric Concrete. It has brass & stainless steel hardware for being fastened at the equipment to protected.



As an economic & technical solution choice MAPPEC have been developed a low voltage surge arrester to protect equipment and transformers by low voltage sides; in this last, the arrester must be connect in the secondary bushing.



APARTARRAYO DE BAJA TENSIÓN



- TRANSFORMER PROTECTION -

ELECTRICAL CHARACTERISTICS

CHARACTERISTICS		
Max. Voltage@20 kA (8/20 μ S) kV		2.9
Nominal voltage	V	120-125
Max. voltage	V	175
Descargas parciales	pC	< 10
Nominal Current	kA	10
Energy absorption capability (average)	J/V	2.3

* High impact resistance.

** Accord with IEC 61643-1 & NRF-025-CFE.



MAPPEC S.A. DE C.V.
Av. Edo. De Puebla N° 6-Bis
Col. Lázaro Cárdenas
Cuernavaca Mor.
Tel. (777) 318 29 46
Fax (777) 314 11 22
e-mail: mappec@avantel.net